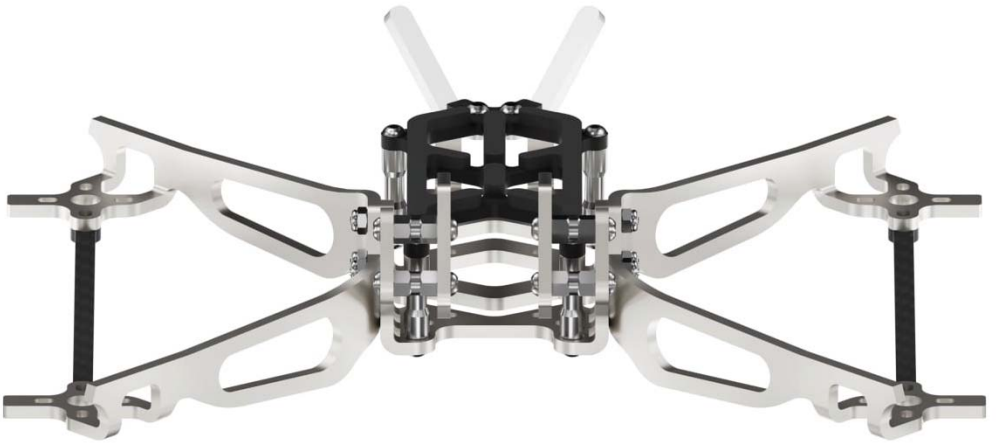




DRONES



# Prometheus

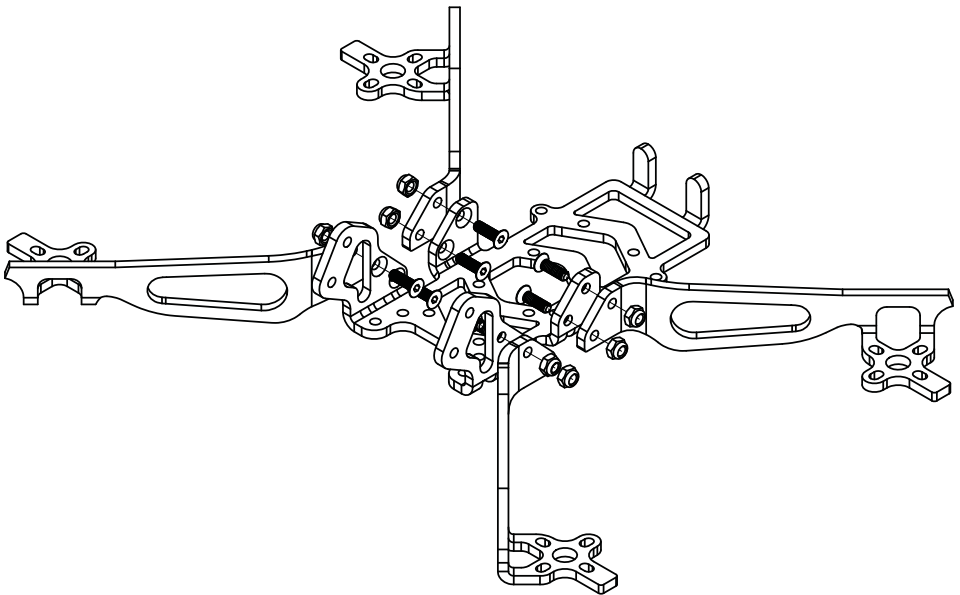
ASSEMBLY INSTRUCTION

# STEP 1

ENG



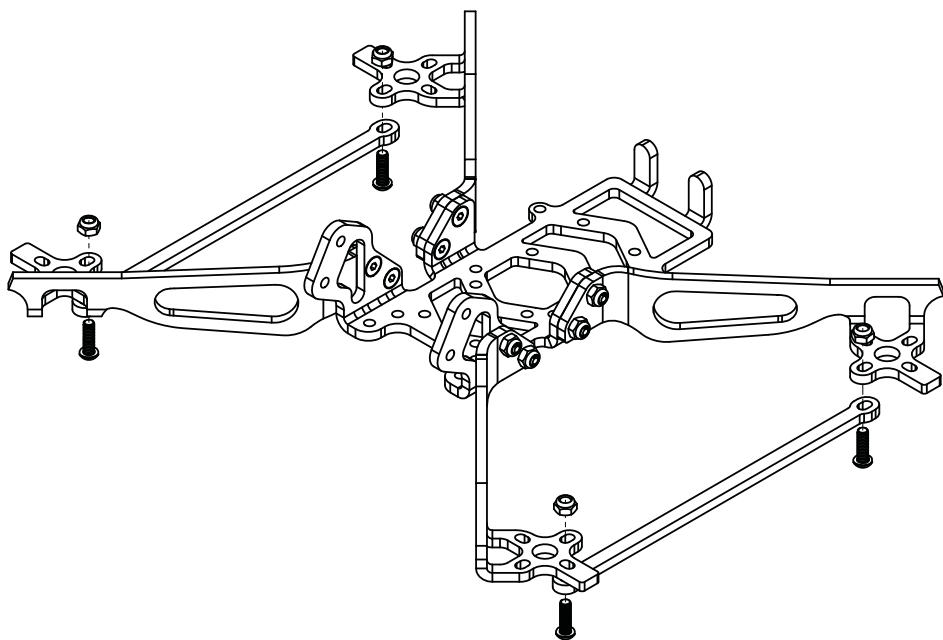
1. The frame preassembled for transportation only, please reassemble with treadlock.
2. When installing motors use bolts provided with frame kit.



Attach the arms and install fasteners (do not tighten).

## STEP 2

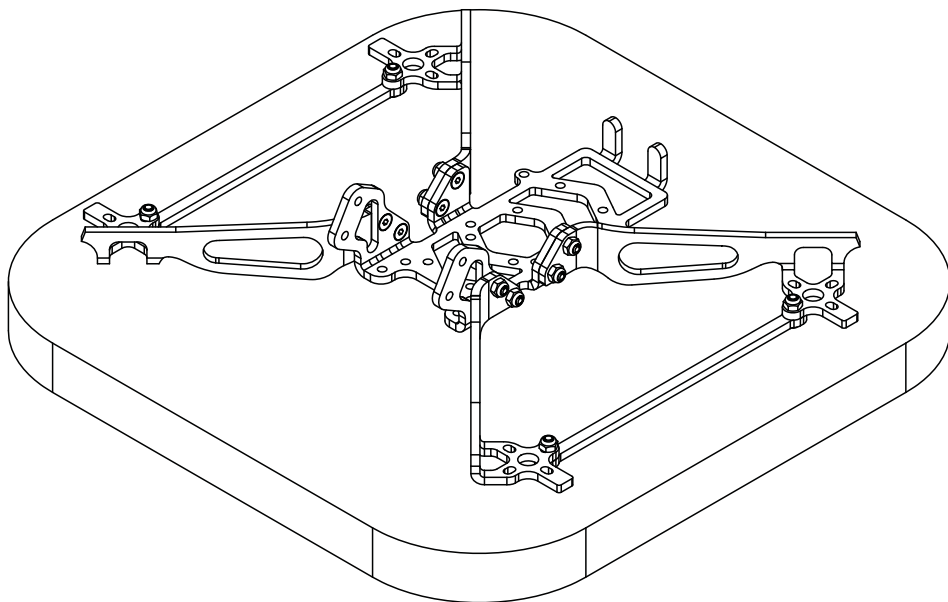
ENG



Attach the struts to the arms for alignment in one plane.

## STEP 3

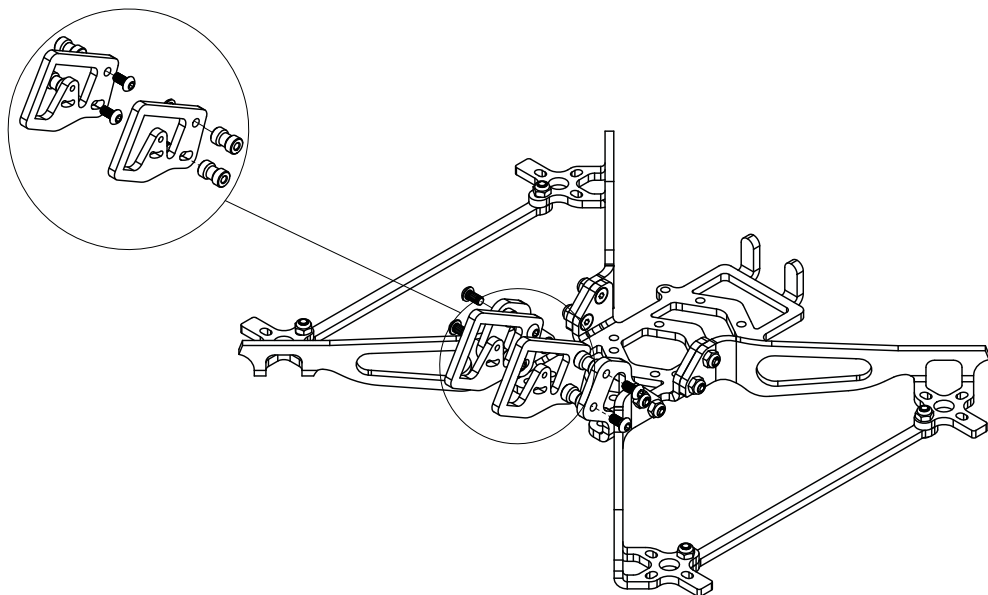
ENG



Place the frame on a flat surface to calibrate the arms in one plane.  
Tighten the arm mounts in the calibrated position.

# STEP 4

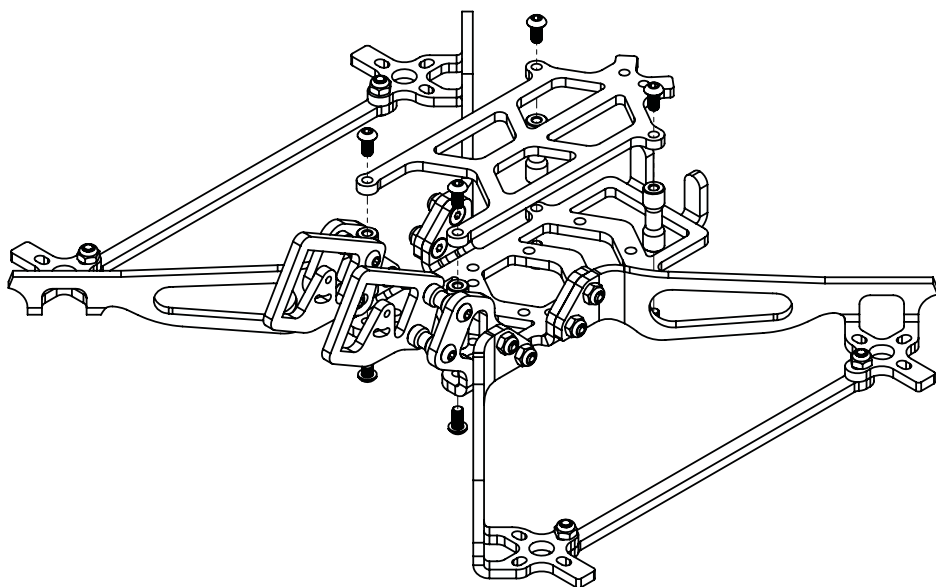
ENG



Attach the racks to the head and set the head parts on the frame.

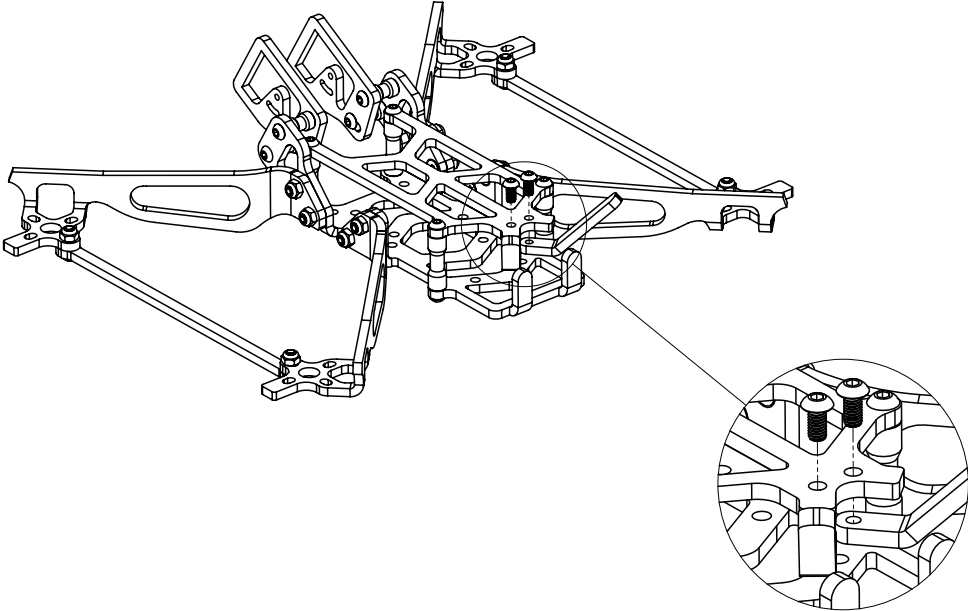
## STEP 5

ENG



Attach the main racks and set the top carbon fiber plate.

# STEP 6



Attach the antenna supports.



[zbroy.com](http://zbroy.com)